

# RANCO

by WESTERN

888-424-4004 | sales@ranco.com



## RANCO 14-24-4P 4-AXLE BOTTOM DUMP PUP



### DIMENSIONS:

- 24' Length
- 102" Wide

### UNDERCARRIAGE:

- Quad-Axle
- Hutch Spring Leaf Suspension
- Out Board Hubs
- Centrifuse Drums
- Air Brakes
- Automatic Slack Adjusters
- 385/65R22.5 Tires
- Aluminum Wheels

### GATES & HOPPER

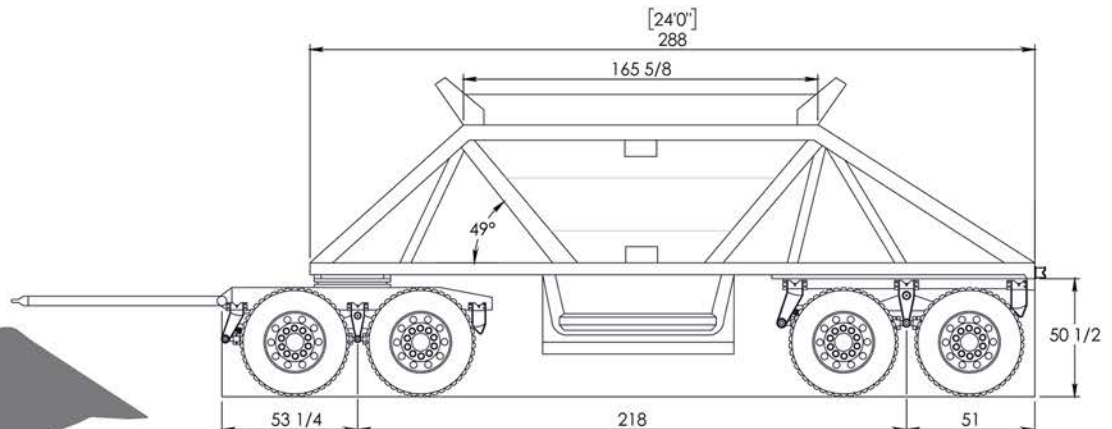
- 14 Cubic Yard Capacity Plus Side Boards
- AR250 Hopper Construction
- Bolt on Front and Rear Fiberglass Fenders
- Bolt on Front and Rear Fiberglass Shed Plates
- Lower Hopper Extensions & Gate Side Seals
- 6" Diameter Gate Cylinders W/ 2 Quick Release Valves
- Versa, Cab and Ground Gate Control Valve
- Air Filter, Lubricator and Air Pressure Gauge
- 40 Gallon Air Tank, Rubber Mounted
- 12" Aluminum Side Boards
- 18" Wings

### DOLLY

- Turntable Coupler
- Hinged Drawbar

### ELECTRICAL:

- Circuit Breakers
- 7 Prong Receptacle & 4 Prong
- Sealed Beam Lights Mounted in Rubber & Enclosed in the Frame
- Wiring in Loom and Enclosed in the Trailer Frame
- LED Lighting



sales@ranco.com | (888) 424-4004 | www.ranco.com