

RANCO

by WESTERN

888-424-4004 | sales@ranco.com



RANCO SD22-42-2 2-AXLE SIDE DUMP



DIMENSIONS

- 21 Cu Yd Capacity Level,
- 31 Cu Yd Capacity Heaped
- 40' OAL, 34' Tub Length
- 102" Width

UNDERCARRIAGE

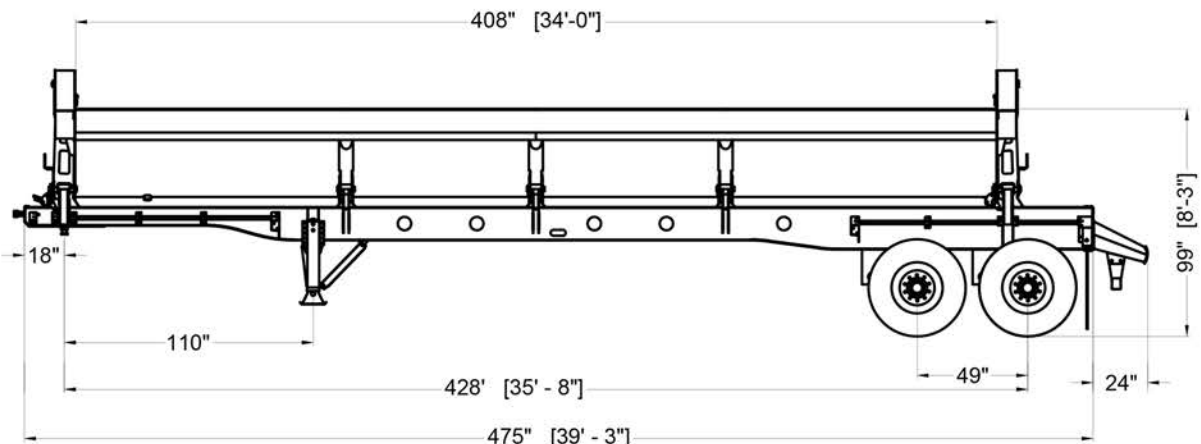
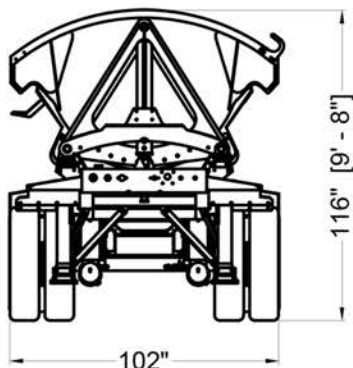
- Tandem Air Ride Suspension
- Aluminum Wheels
- 11R24.5 Tires
- 16 1/2 x 7 Brakes with Spring Parking, Auto Slacks and Wabco
- 4S-2M ABS System
- Anti Sail Mud Flaps

FRAME

- Fabricated Steel Beam Construction
- Subframe: Fabricated IBeam Structure with Suspension & Lower Hinge Mounts
- Hoist: 5" DIA, Single, Dual Acting 34" Stroke Cylinder
- Steel Mounted Drop Legs
- All Joints with Greasable Fittings
- Bolt-on Rubber Fenders
- Bolt-on Pusher
- Hydraulic Valve - Electrical Signal, Oil Actuated
- Full DOT LED Sealed Lights
- Coupler: T-1 steel pickup plate, with 3/8" Structural Stiffeners

TUB

- 1/4" AR400 Panels with 3/16" Upper Rail Structure & Angled Tub Corners
- Five Pivot Points, UHMW Bushings
- Structural 'A' Frame Cylinder Dump Housing Bolted to the Tub, Front and Rear
- All Welds Full Penetration, 70k Wire



sales@ranco.com | (888) 424-4004 | www.ranco.com