

# RANCO

by WESTERN

888-424-4004 | sales@ranco.com



## RANCO EXTRA CAPACITY BOTTOM DUMP PUP



### DIMENSIONS:

- Length: 24'
- 14 Cubic Yard Capacity
- Tandem Axles
- Adjustable Draw Bar 8' to 14' 6"

### UNDERCARRIAGE:

- Hutch 9700 Spring Suspension
- Dual 11R24.5 Tires
- Aluminum Wheels
- Windrow Deflectors

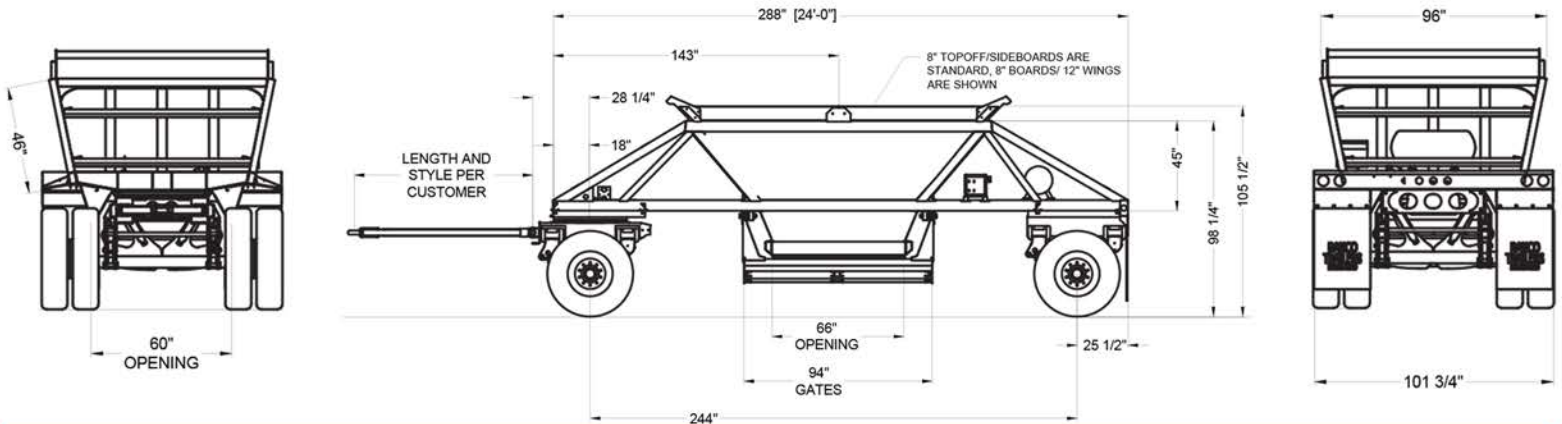
### GATES & HOPPER

- Rubber Hopper Extension
- Upper Hopper Sheeting: AR250 10 Gauge
- Lower Hopper Sheeting: 60"X54"
- Gate Face Material: AR250 10 Gauge
- Bolt on Steel Front Fenders
- Gate Seals: Rubber
- Versa Gate Control Valve

### FEATURES:

- 18" Steel Wings
- 12" Wood Side Boards
- Shed Plates Front & Rear
- Electric Flip Tarp
- Standard Paint Color: White

**14 CU YD CAPACITY**



sales@ranco.com | (888) 424-4004 | www.ranco.com